

MIT OpenCourseWare
<http://ocw.mit.edu>

4.500 Introduction to Design Computing
Fall 2008

For information about citing these materials or our Terms of Use, visit: <http://ocw.mit.edu/terms>.

Digitally Manufactured Housing

Larry Sass
MIT



Effective computing

Machining that is computer controlled

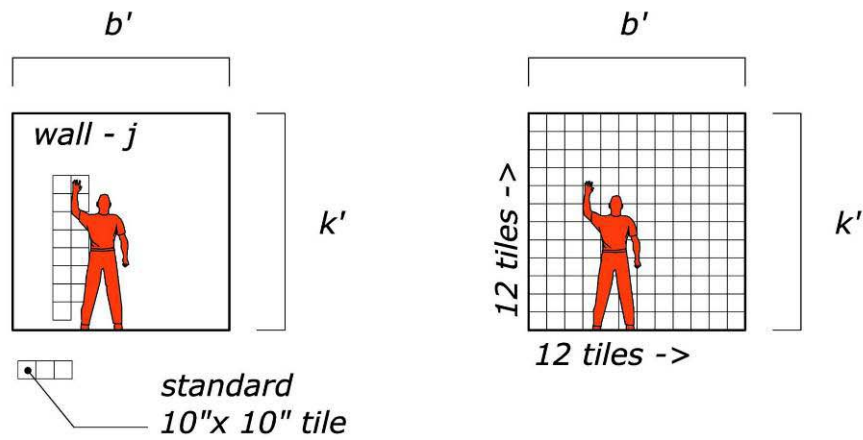
Assembly Only construction sites

Customized home delivery for culturally sensitive design

- New Orleans – 109,000 House lost
- 7 years @ 75/day
- Mass Customize 75 designs
- Mass Produce

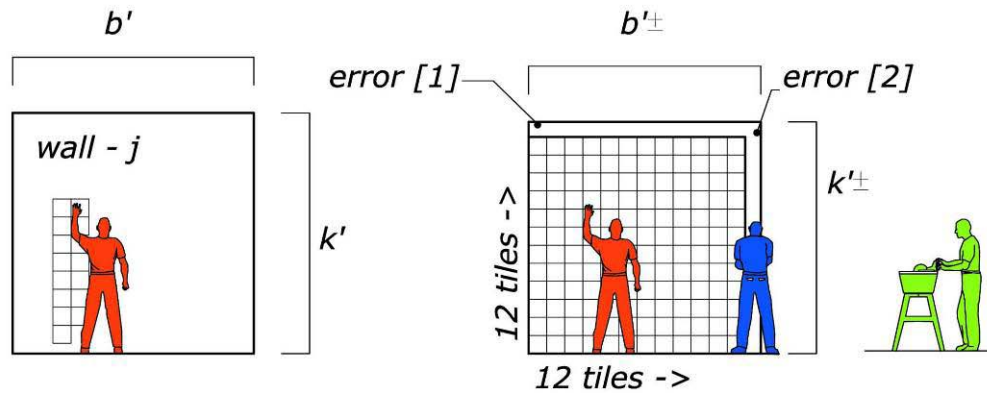
WALL [A]

$$144 \text{ tiles} \times a = \text{cost}$$



WALL [B]

$$144 + (25 \text{ tiles} \times a (m \ \& \ c)) = \text{cost}$$



Cost of Error

House Construction = **Labor** + Materials

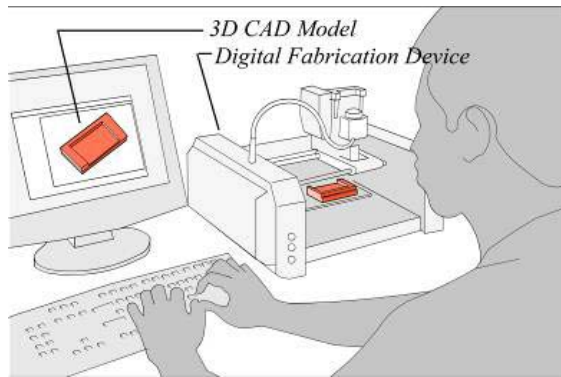
Labor [A] = - **Assembly** only

Labor [B] = **Assembly** + **Measure** + **Cut**

House Construction = (*nLabor* x [A]) + (*nLabor*x [B]) + Materials

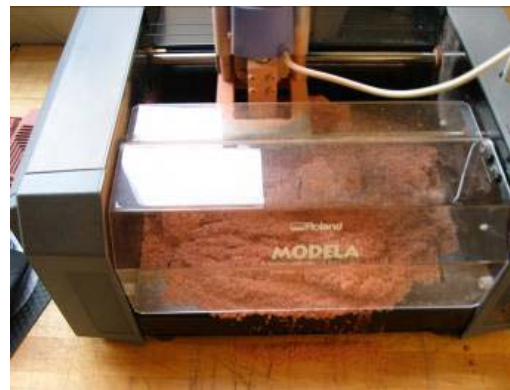
Vision of Materialization

[1]
CAD



Machine
Measuring
(MIT)

[2]
machine & material



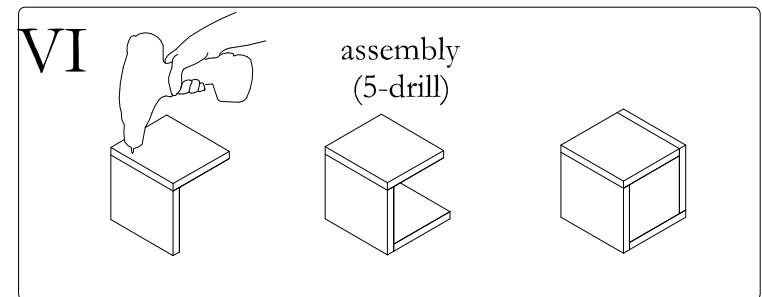
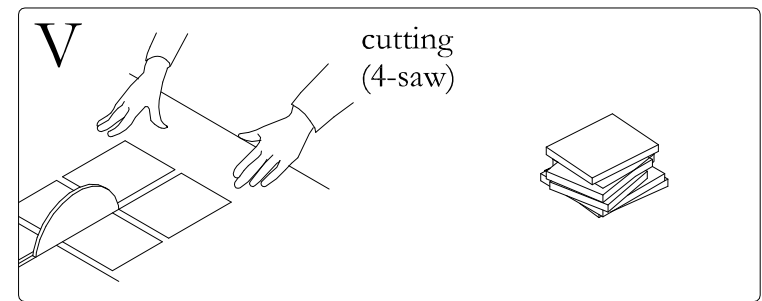
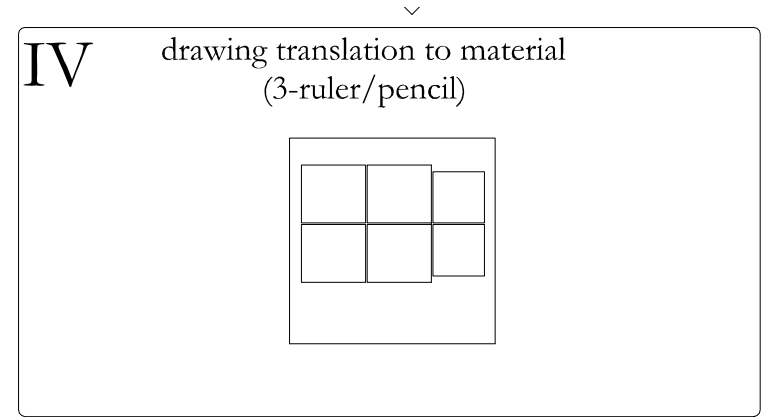
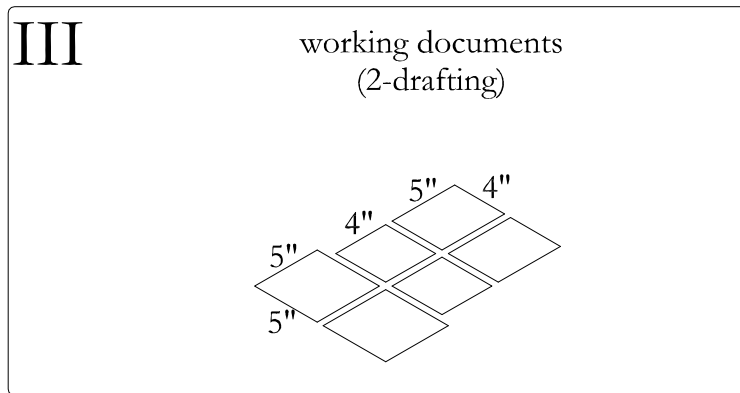
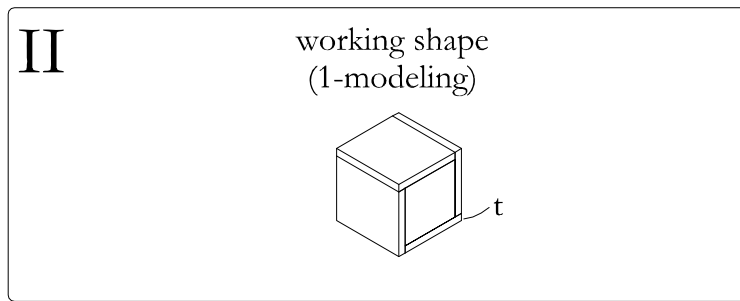
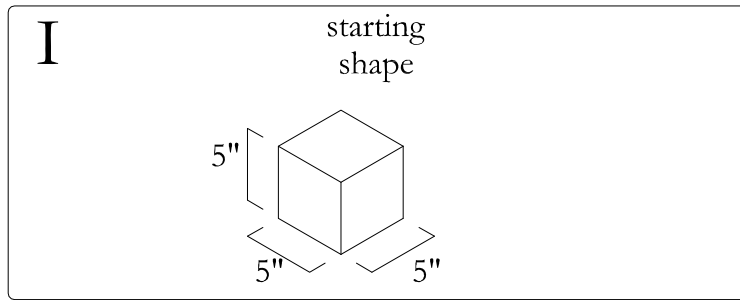
Machine
Cut or Build

[3]
assembly



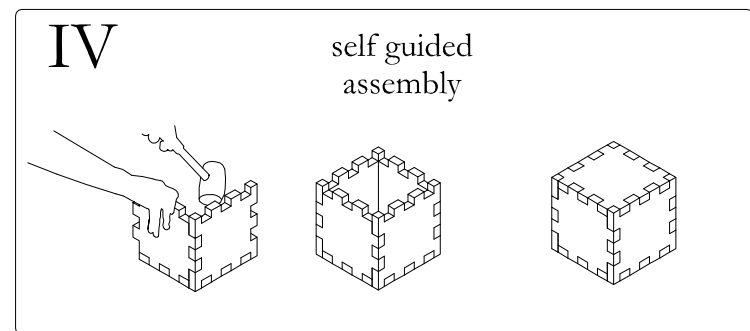
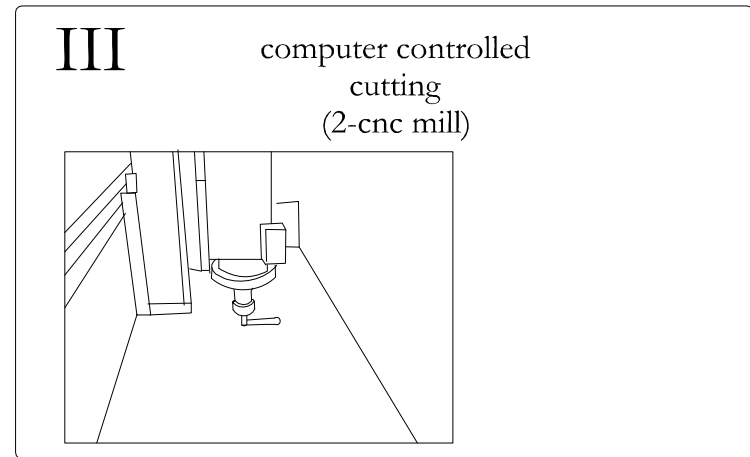
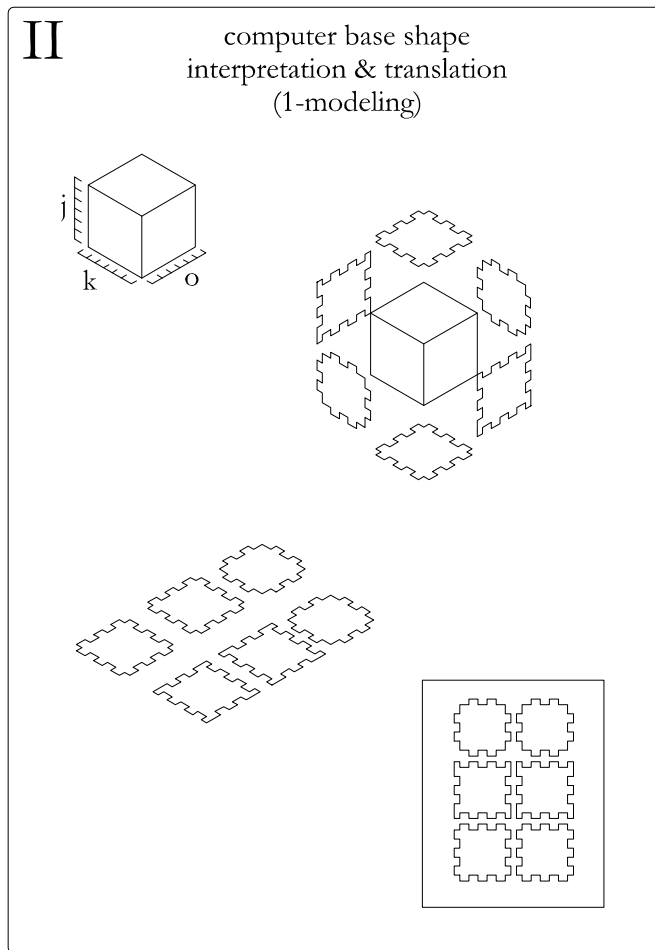
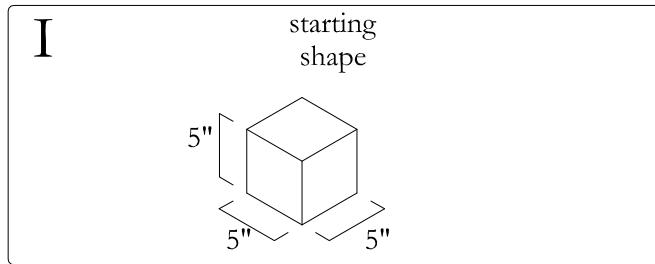
Machine
Assembled
(ETH)

Analogue



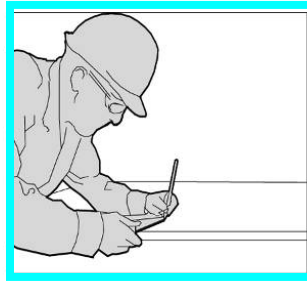


Digital





Waste in Design & Construction



- Factory based construction
- Hand Operations
- High Energy
- Imprecise measuring
- Imprecise cutting
- Imprecise assembly



Instant House

Supports Non-Western Design & Construction



Marcel Botha
Nic Rader
Victoria Lee
Maggy Nelson
Diana Nee

Universal Technologies



Fab Lab MIT/India



Fab Lab MIT/India

Design System

Integral Assemblies
(Plywood)
Summer 2005

(a)
Box Joinery



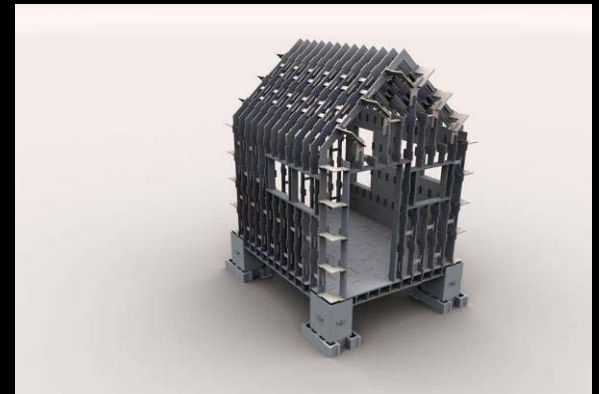
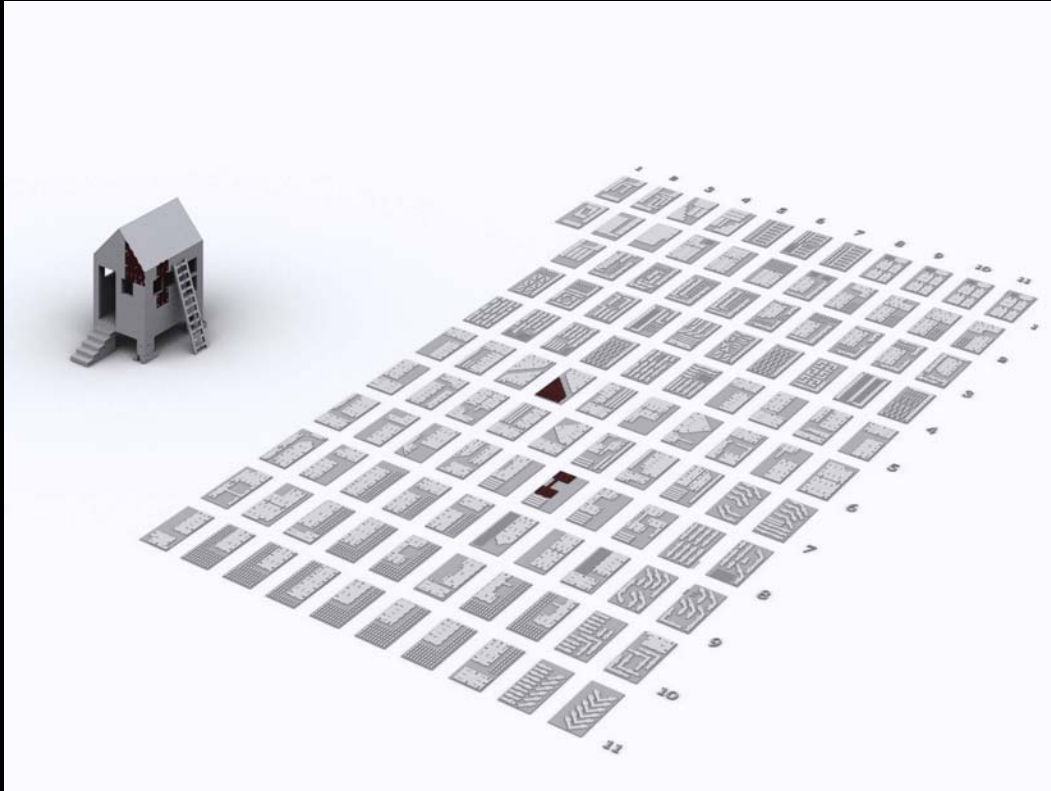
(b)
Dado Joint



(c)
Biscuit Joint



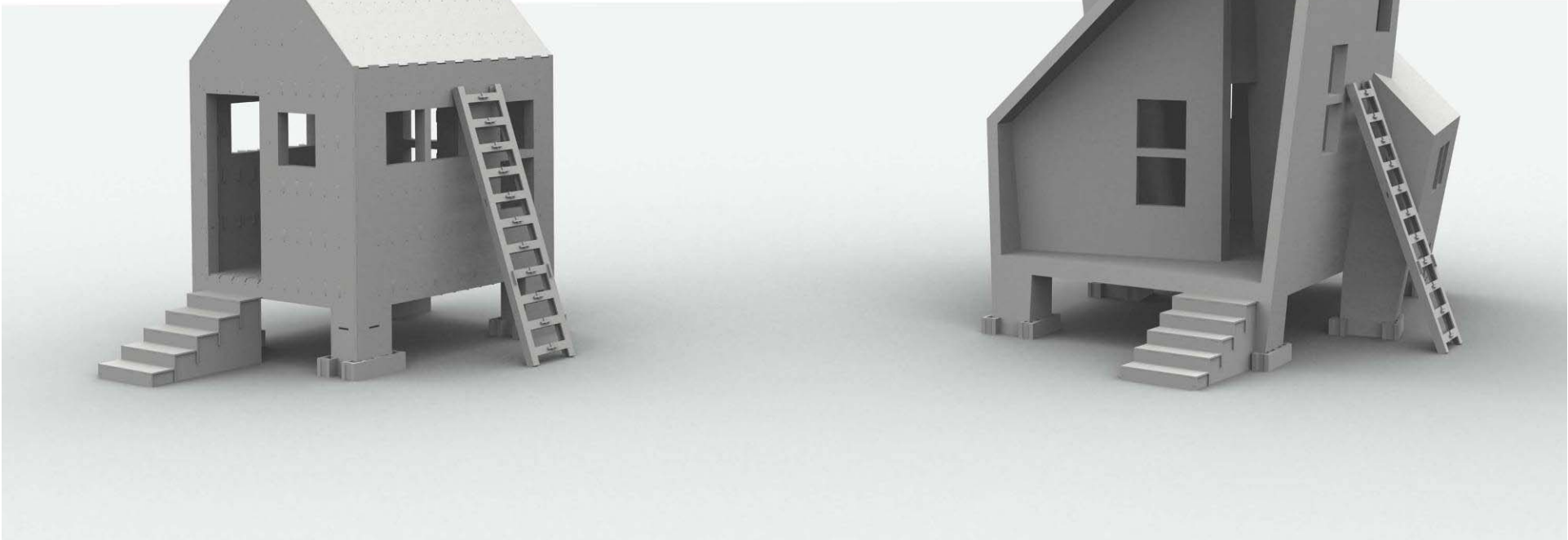
AutoCAD
Design Model



AutoCAD
Construction Model

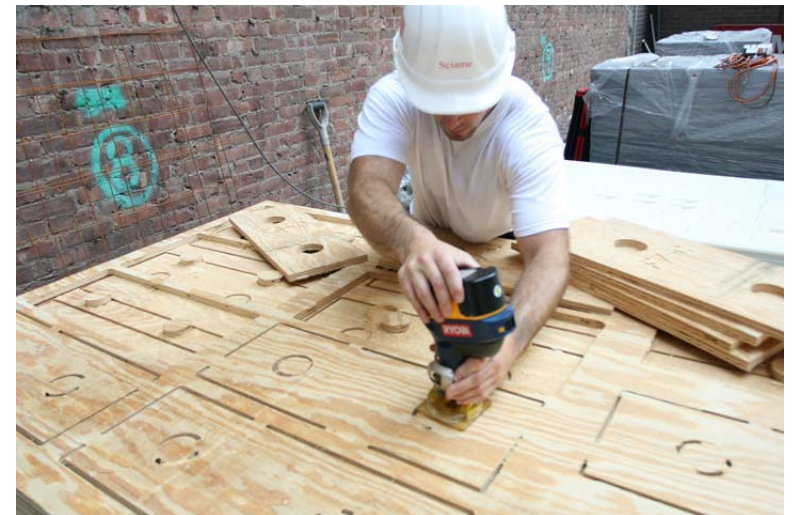
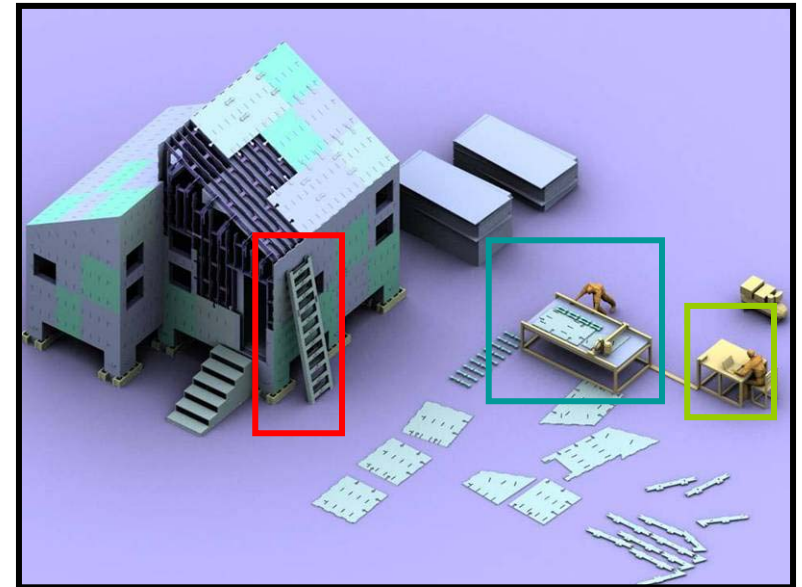




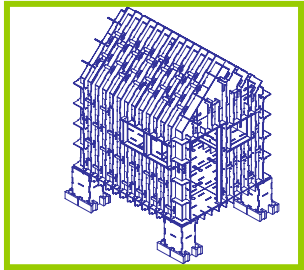


Digitally Fabricated

- Outdoor or Indoor Digital Factory
 - Any Shape
 - Machines Scale
 - Complexity is in the cutting
- Advantages
 - Design models used for cutting
 - Controlled manufacturing
 - Low Energy (Flat packed)
 - Controlled waste
 - Precise
- Impact
 - Broad approach to housing
 - Luxury or low cost housing
 - Process works with many materials



What is digital fabrication



Computer model
"Precision measuring"



"Laser cutting"
Precise Cutting in Studio



"Prototype"
Error Detection & Correction



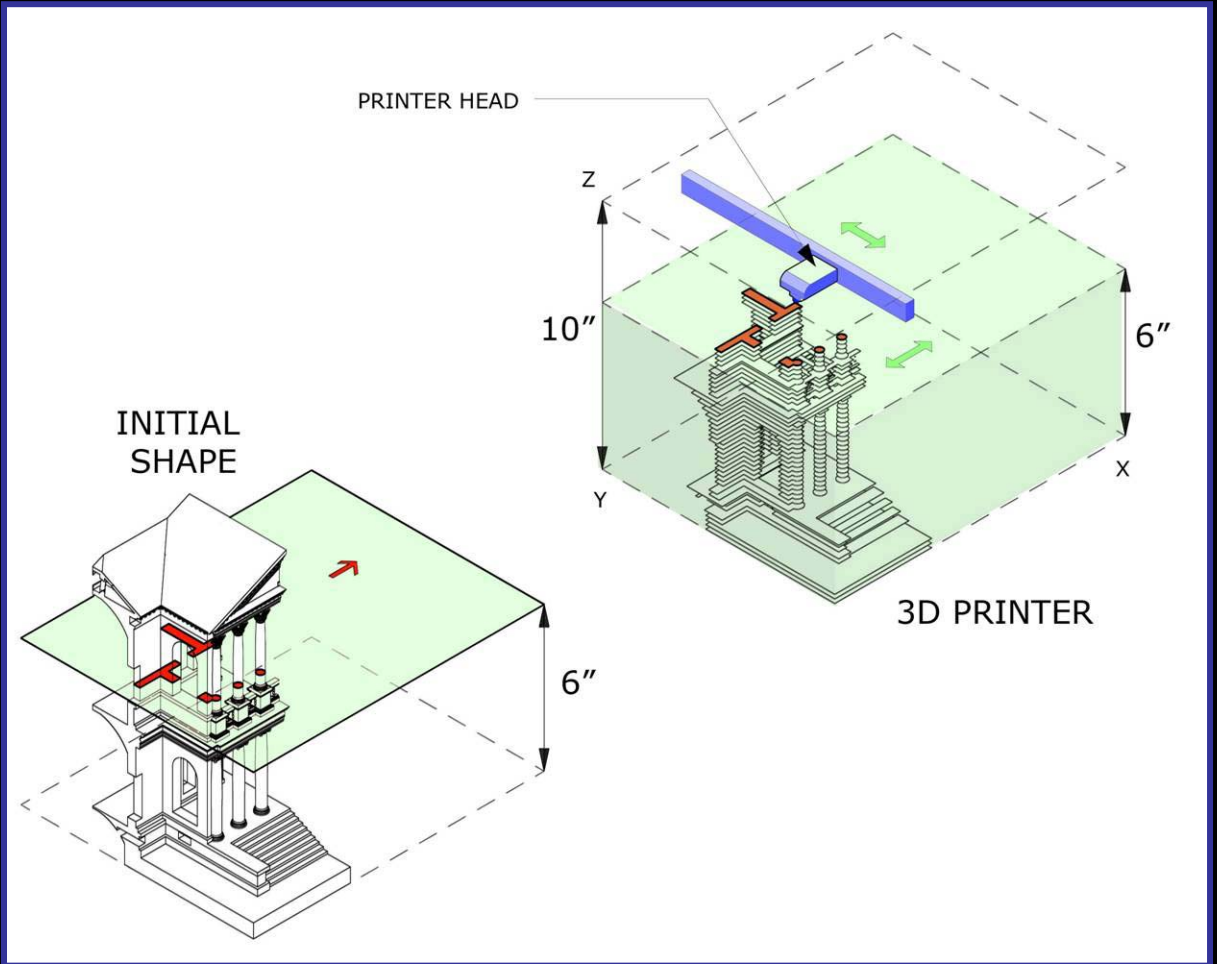
Scale Objects : 6



Inspiration

Computing a model

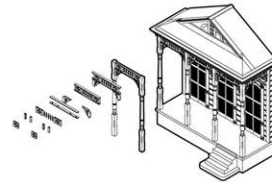
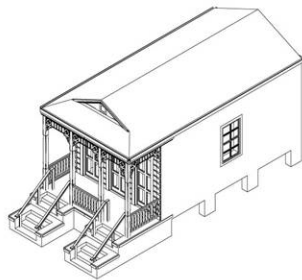
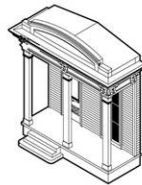
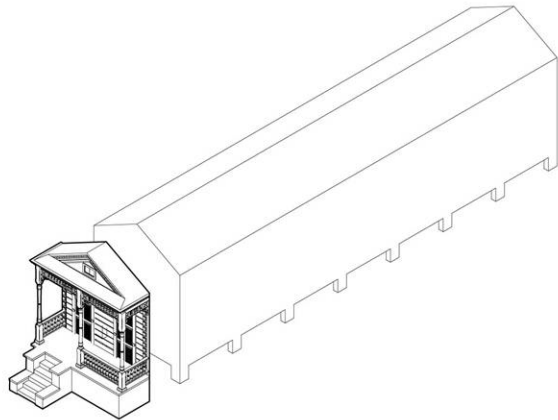
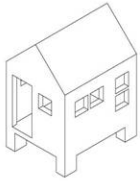
1. Precise measuring
2. Manufacturing Layered
3. Automated Assembly



Production: Design

(Design Grammar)

Step 1



Stiny, G., *Palladian Grammar*, Environment and Planning B, Vol. 1975

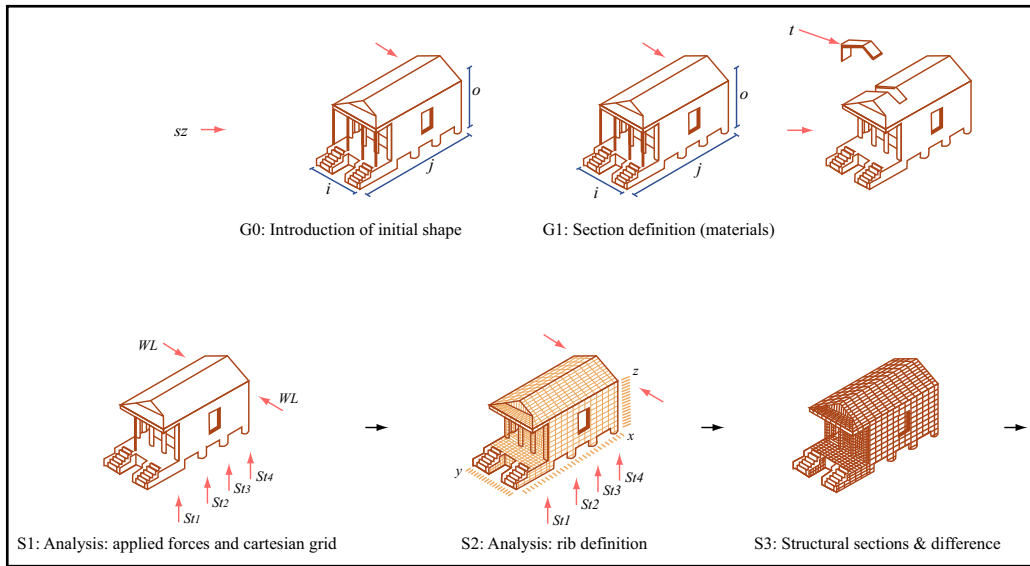
Duarte, J., *Siza Grammar*, Environment and Planning B, Vol. 2004



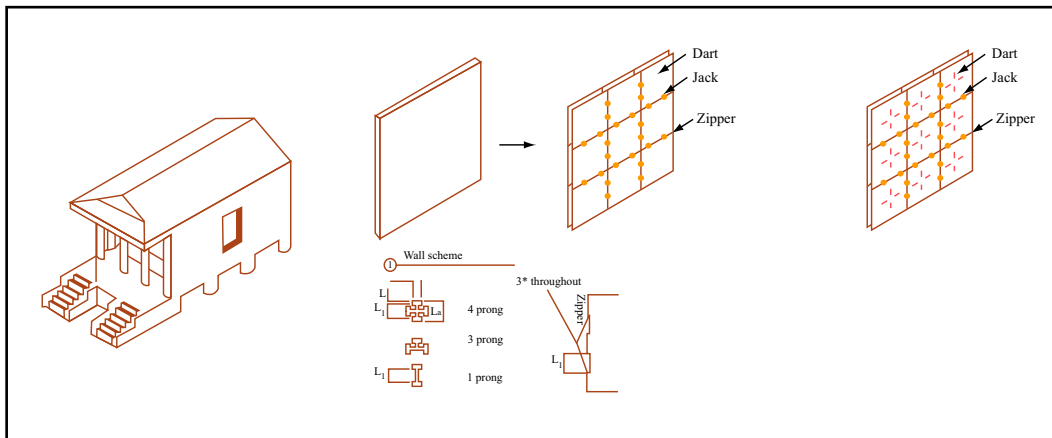
Production: Product Modeling

(Construction Grammars)

Step 2



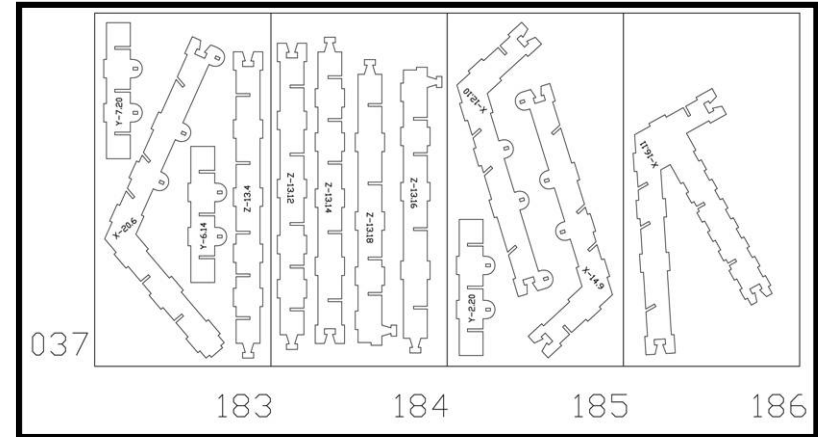
Figures by MIT OpenCourseWare.



Production: Manufacturing

(Computing for manufacturing)

Step 3



On-Site: Structure

(Assembly Only)

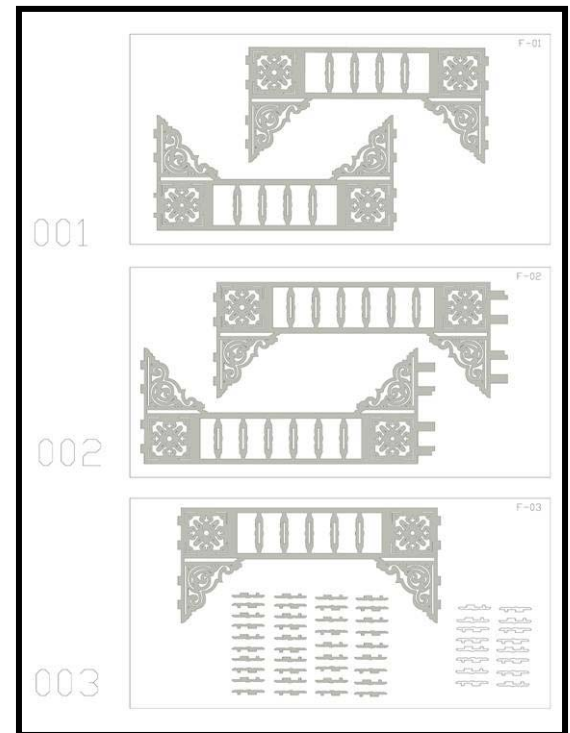
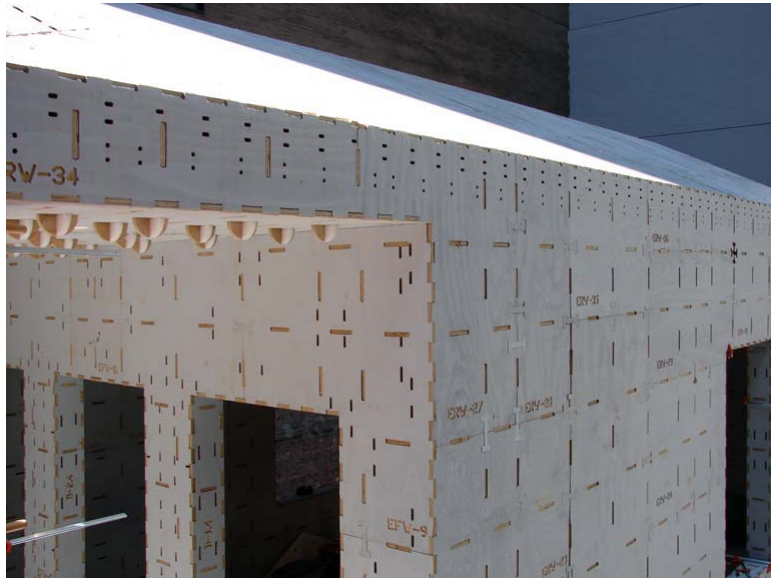
Step 4



On-Site: Ornamentation

(Multi-lateral Layering)

Step 5



Design and Machines

